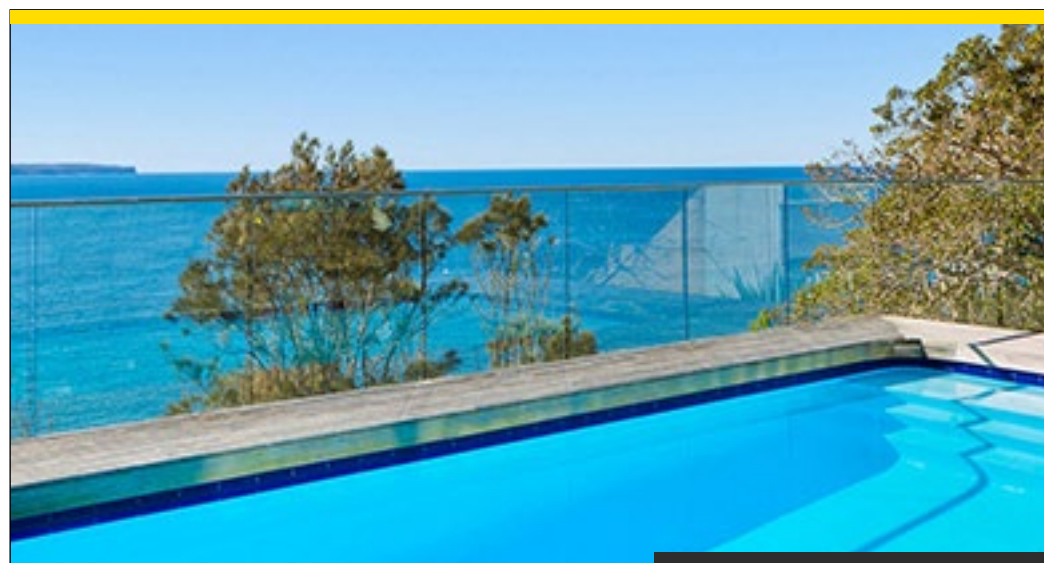


The logo for ALUMINUN, featuring the word in a bold, sans-serif font with a stylized 'A'.The logo for ZHONGLIAN Aluminum Profiles, featuring a stylized 'ZHG' symbol followed by the text 'ZHONGLIAN Aluminum Profiles'.



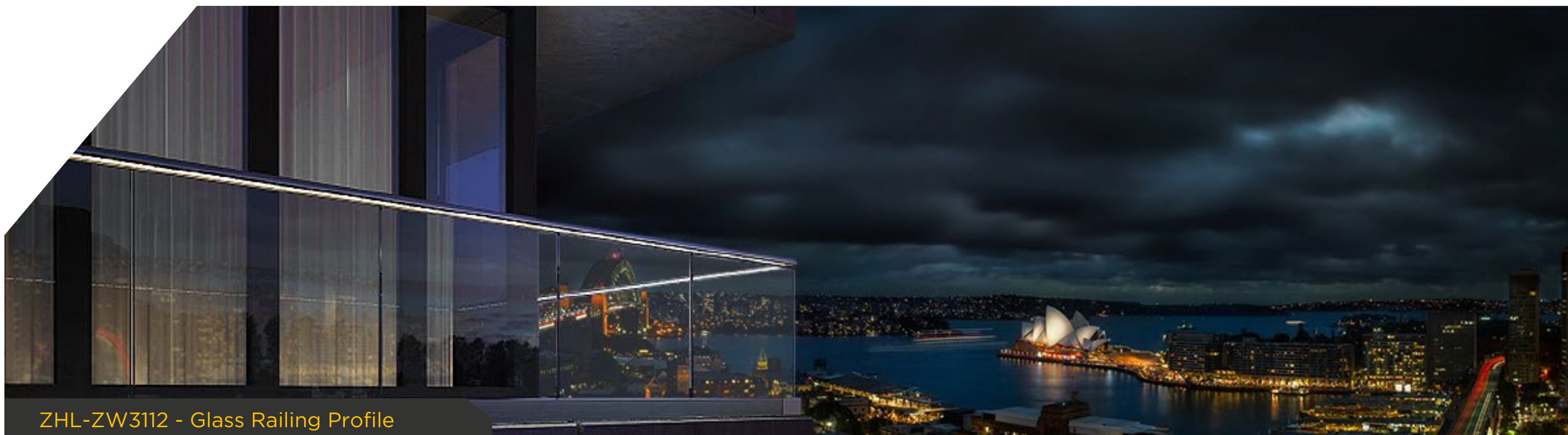
Customized Service:

In addition to the standard styles, we can also customize special styles of frameless glass railing systems for customers, such as Curved Type System, Side Fix System, Side Mount Staircase Type System Railing Aluminum Profiles.



Customized Service:

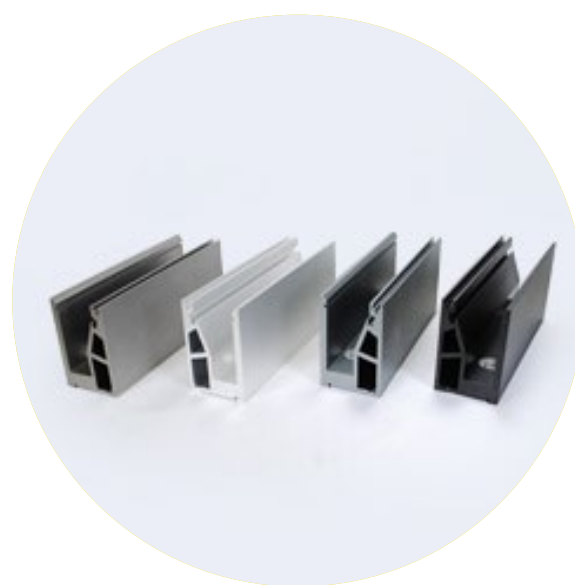
In addition to the standard styles, we can also customize special styles of frameless glass railing systems for customers, such as Curved Type System, Side Fix System, Side Mount Staircase Type System Railing Aluminum Profiles.

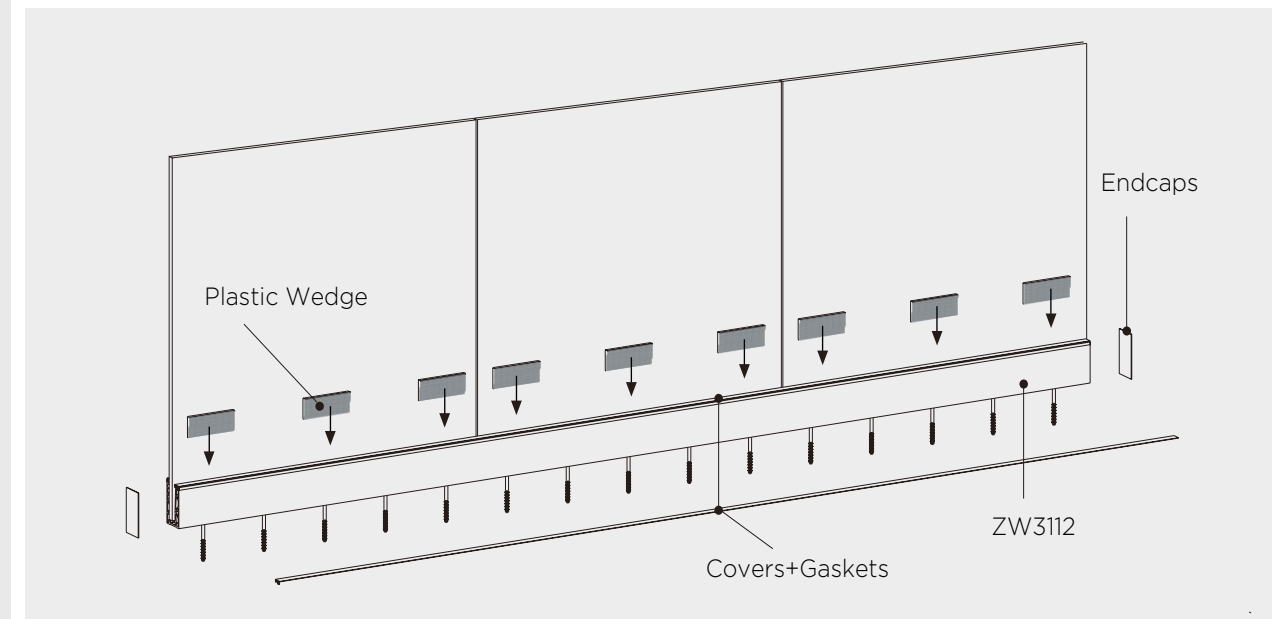


ZHL-ZW3112 - Glass Railing Profile

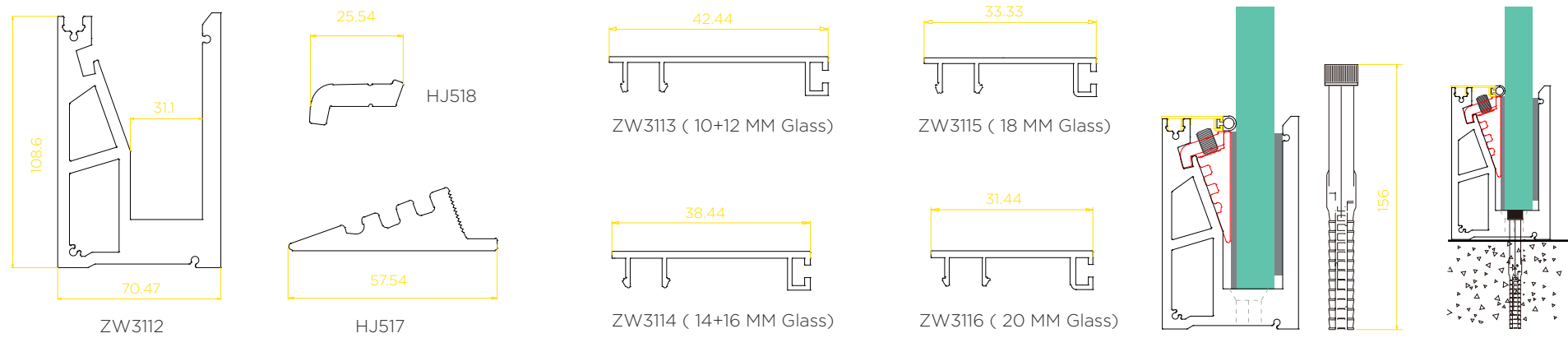
New ZHL-ZW3112 model anodized Aluminium base shoe channel profile is perfect for both interior and exterior frameless glass railings that require floor mounting. Its linear design ensures a sleek and modern decor for all types of railings and balconies with a clear view. Weather-resistant, the base shoe is designed to accommodate glass panels with several thicknesses. ZHL-ZW3112 frameless glass railing profile is compatible with 10+12mm, 14+16mm, 18mm, 20mm glass panels. Simply affix to the floor of the balcony with an anchor bolt before inserting the glass panel. Install the glass panel by putting it inside the profile.

- ▶ Newest and safest system in railing
- ▶ 10+12 mm, 14+16 mm, 18 mm and 20 mm safety glass usage
- ▶ Easy cleaning and High static results
- ▶ Full length Aluminium profile
- ▶ Unlimited view
- ▶ Aesthetic design

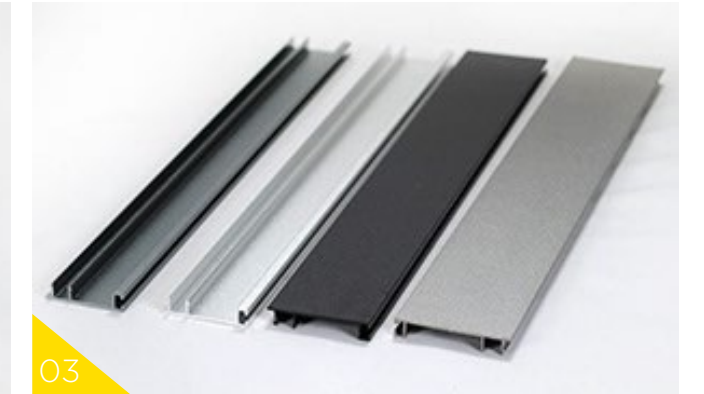
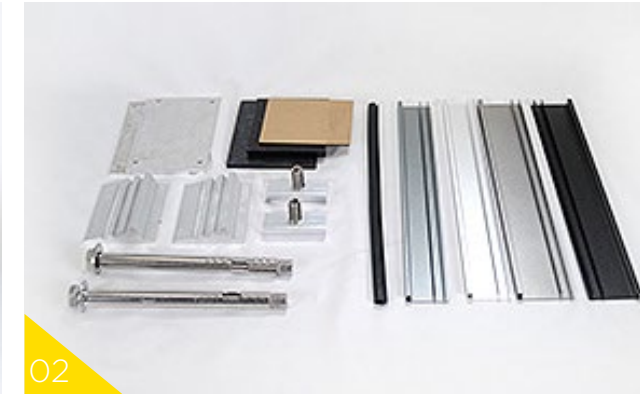
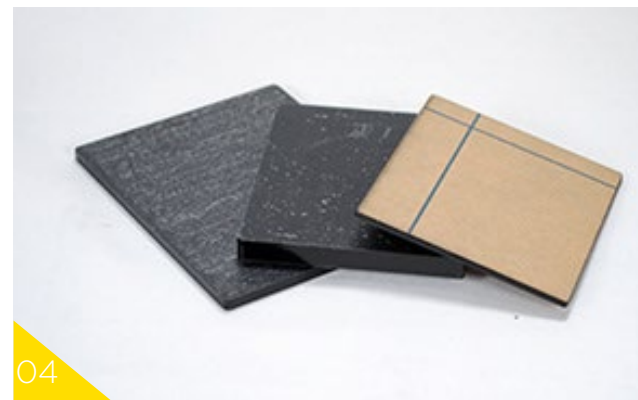
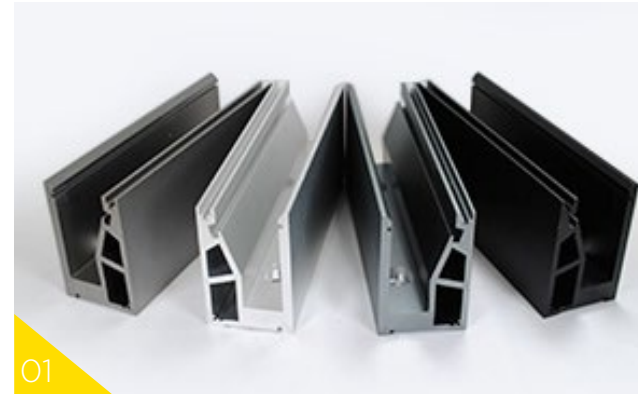
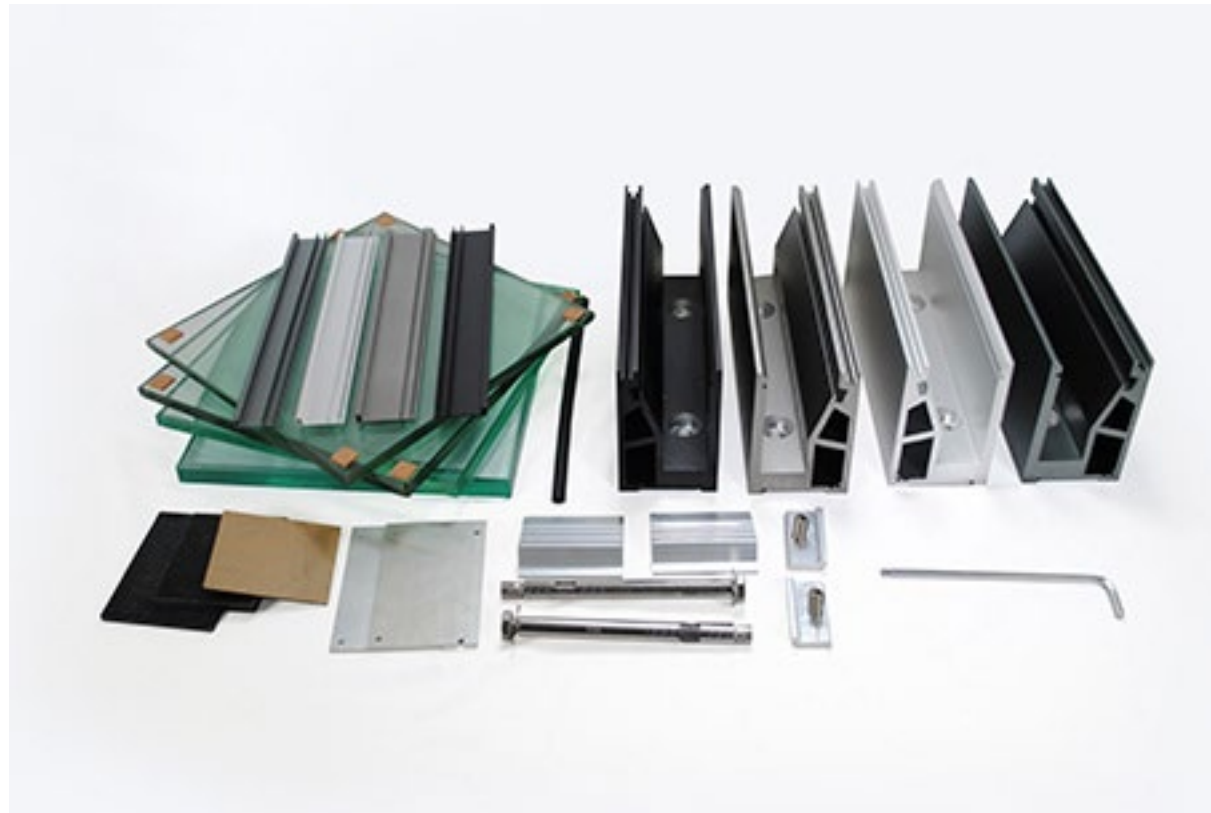




ZHL-ZW3112 - Glass Railing Profile



| Glass Support Base Shoes | Glass Thickness | Covers | Right Plastic Wedge | Left Plastic Wedge 1 | Left Plastic Wedge 2 | Aluminum parts 1 | Aluminum parts 2 | Gaskets | M8 304 Screw | Endcaps |
|--------------------------|-----------------|--------|---------------------|----------------------|----------------------|------------------|------------------|---------|--------------|---------|
| ZW3112 | 10mm | ZW3113 | | ✓ | | HJ517 | HJ518 | ✓ | ✓ | ✓ |
| | 12mm | ZW3113 | | ✓ | | | | | | |
| | 14mm | ZW3114 | ✓ | ✓ | | | | | | |
| | 16mm | ZW3114 | | | ✓ | | | | | |
| | 18mm | ZW3115 | | | ✓ | | | | | |
| | 20mm | ZW3116 | | | ✓ | | | | | |



You can watch the installation video of this system on Youtube Zhonglian Aluminum Profile TV Channel.



ZHONGLIAN in-floor glass supporting system distinguish your precious buildings with its durability, aesthetic view and being brand new system. Besides, it provides more view space. In-floor fixing parts are closed with caps which have special gaskets on it. Provides unlimited view, stability. The best solution ZHL-ZW3112.

- ▶ ZHL-ZW3112 Aluminum Profile
- ▶ Gaskets & M8 304 Screw & HJ517 + HJ518 Aluminum parts
- ▶ ZW3113 + ZW3114 + ZW3115 + ZW3116 Covers
- ▶ Plastic Wedge
- ▶ Threaded rod
- ▶ Endcaps

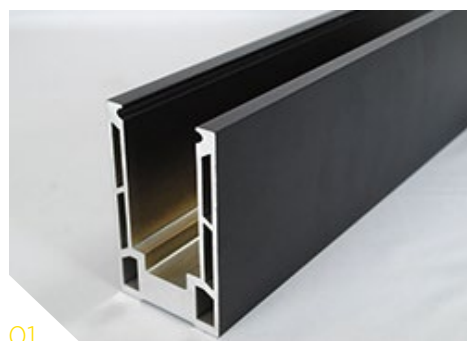


The most beautiful and elegant type of glass railing. It's name is ZHL-GZD215. However it's difference than others is powder coating finish surface which is providing beautiful view on your projects.

- ▶ 12 mm, 13 mm and 14 mm safety glass usage
- ▶ Newest and safest system in railing
- ▶ Unlimited view
- ▶ Aesthetic design
- ▶ Easy cleaning



ZHL-GZD215 - Glass Railing Profile



01



02

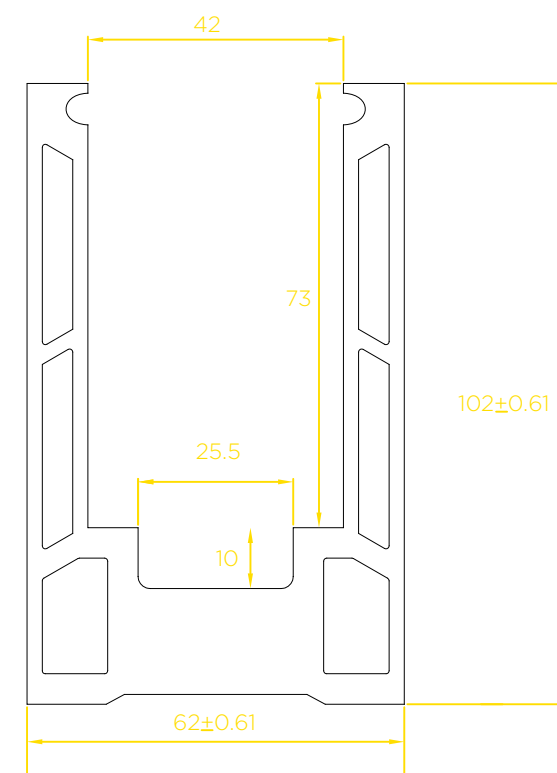


03



04

*Can be customized according to customer requirements



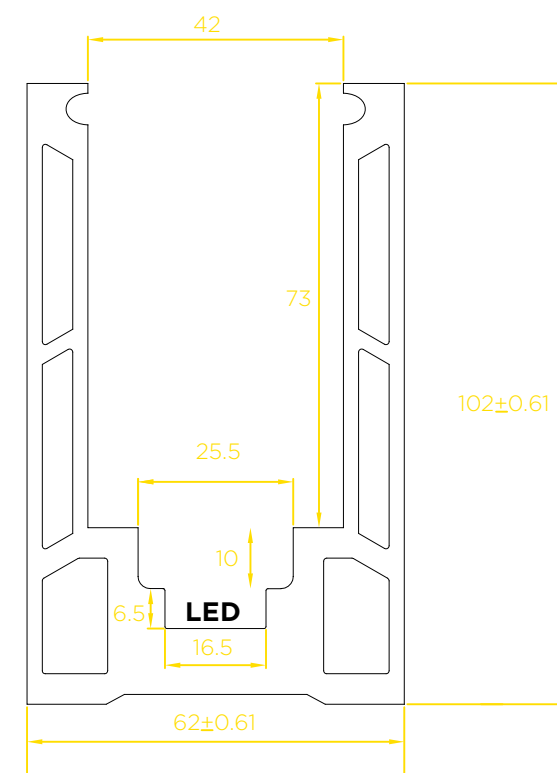
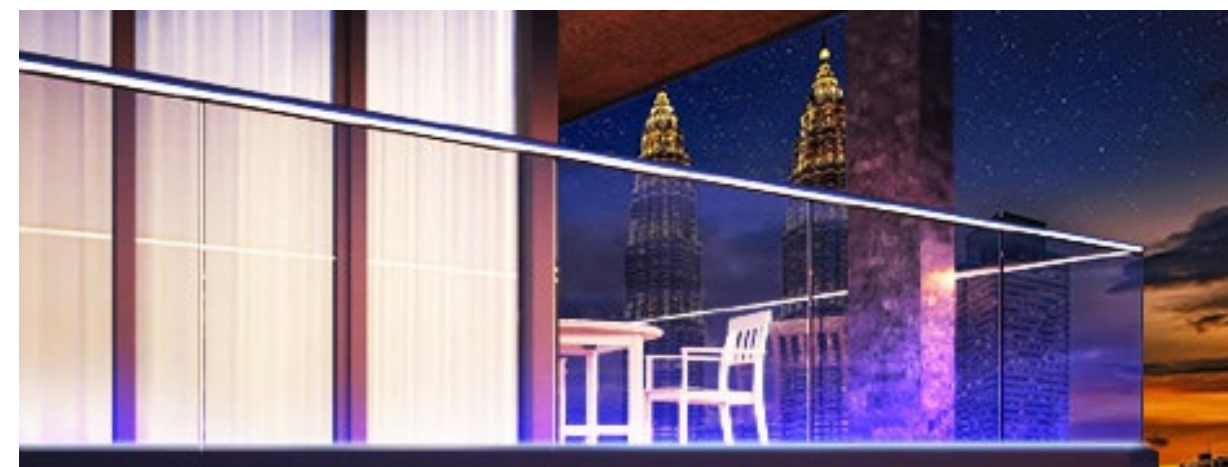
ZHONGLIAN in-floor glass supporting system distinguish your precious buildings with it's durability, aesthetic view and being brand new system.

- 01 / The best solution for external connection types
- 02 / Provide CNC drilling services - prefabricated holes
- 03 / Environmentally friendly spray paint on the surface
- 04 / Full set of accessories available



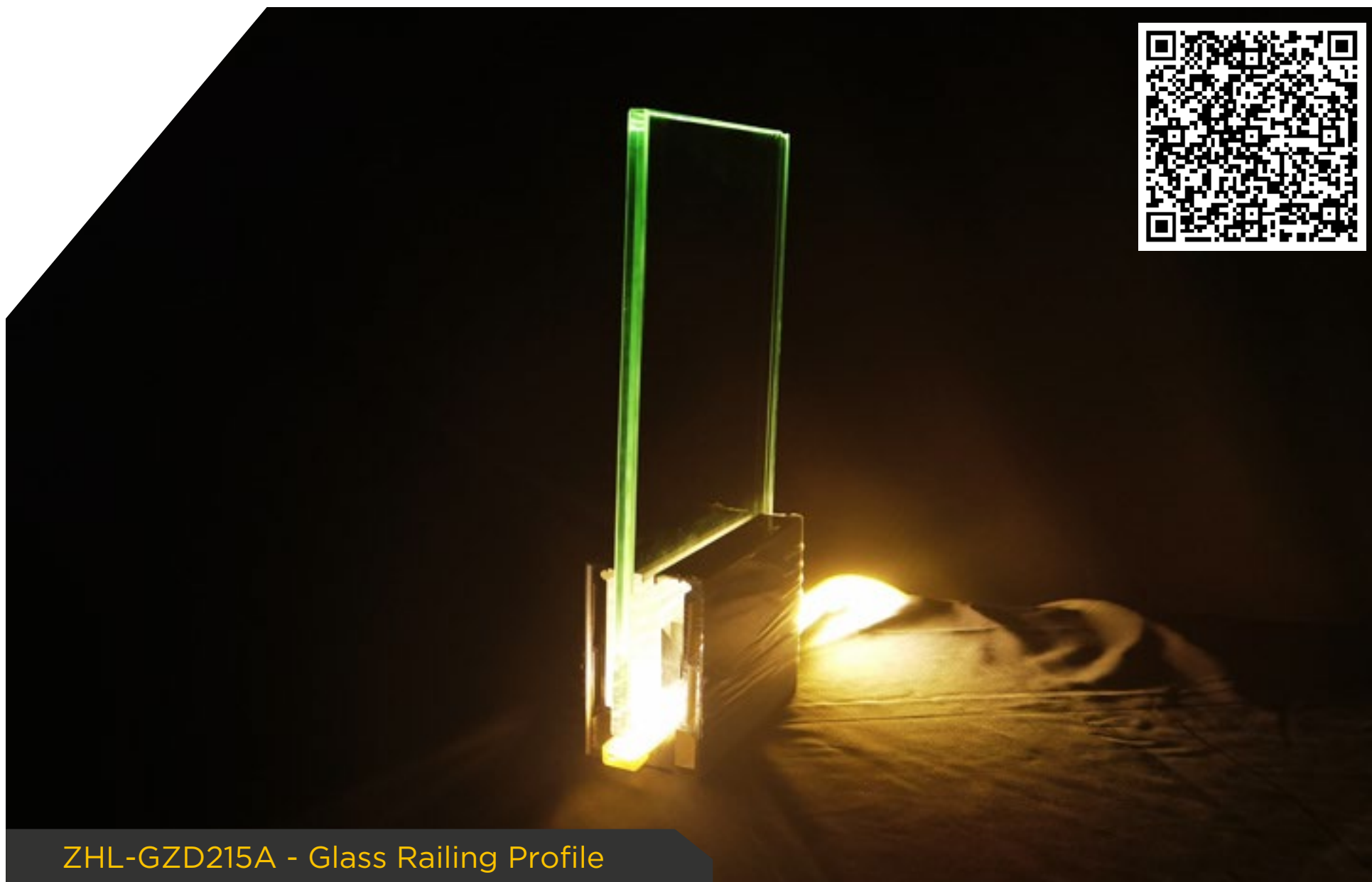
The most beautiful and elegant type of glass railing. It's name is ZHL-GZD215A. However it's difference than others is powder coating finish surface which is providing beautiful view on your projects.

- ▶ 12 mm, 13 mm and 14 mm safety glass usage
- ▶ Newest and safest system in railing
- ▶ Unlimited view
- ▶ Aesthetic design
- ▶ Easy cleaning



ZHONGLIAN in-floor glass supporting system distinguish your precious buildings with it's durability, aesthetic view and being brand new system.

- 01 / Install led strips
- 02 / Install the plastic parts first, then place the glass, and finally put the aluminum alloy fasteners in.
- 03 / Install Covers
- 04 / A full range of accessories can be supplied, including plastic fittings, aluminum alloy fasteners, screws, aluminum covers or plastic strips.



ZHL-GZD215A - Glass Railing Profile

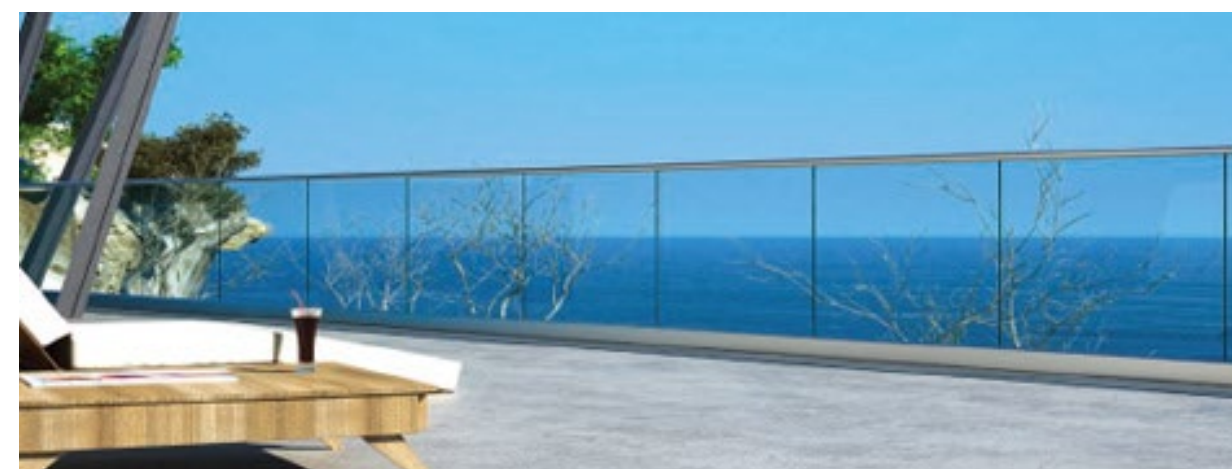


*Can be customized according to customer requirements

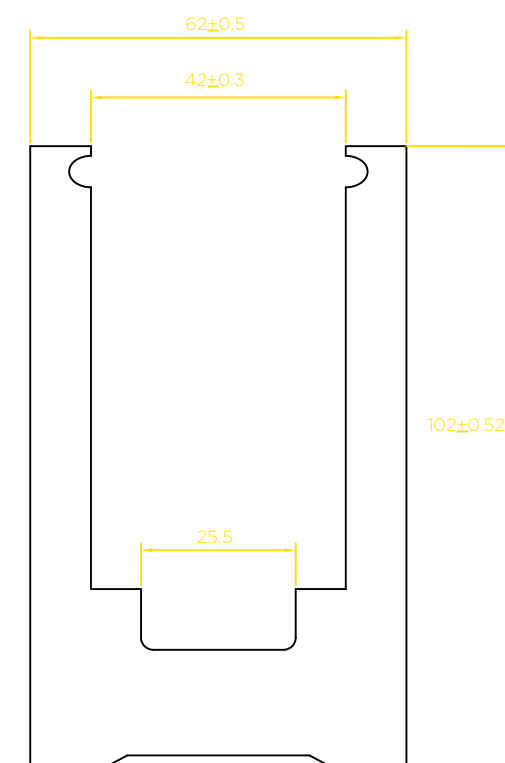


ZHONGLIAN in-floor glass supporting system distinguish your precious buildings with it's durability, aesthetic view and being brand new system. Besides, it provides more view space. The best solution ZHL-ZW1303.

- ▶ 12 mm, 13 mm and 14 mm safety glass usage
- ▶ Full length Aluminium profile
- ▶ Unlimited view
- ▶ Aesthetic design
- ▶ Easy cleaning



ZHL-ZW1303 - Glass Railing Profile



ZHONGLIAN in-floor glass supporting system distinguish your precious buildings with it's durability, aesthetic view and being brand new system.

- 01 / The best solution for external connection types
- 02 / Provide CNC drilling services - prefabricated holes
- 03 / Environmentally friendly spray paint on the surface
- 04 / Full set of accessories available

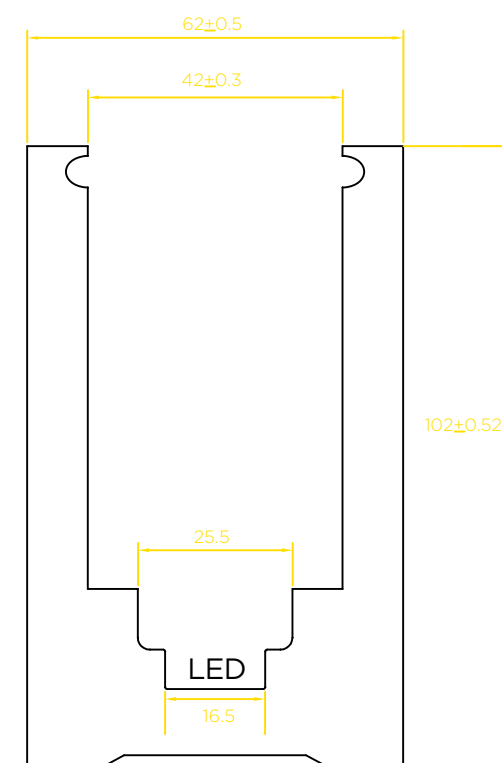


*Can be customized according to customer requirements



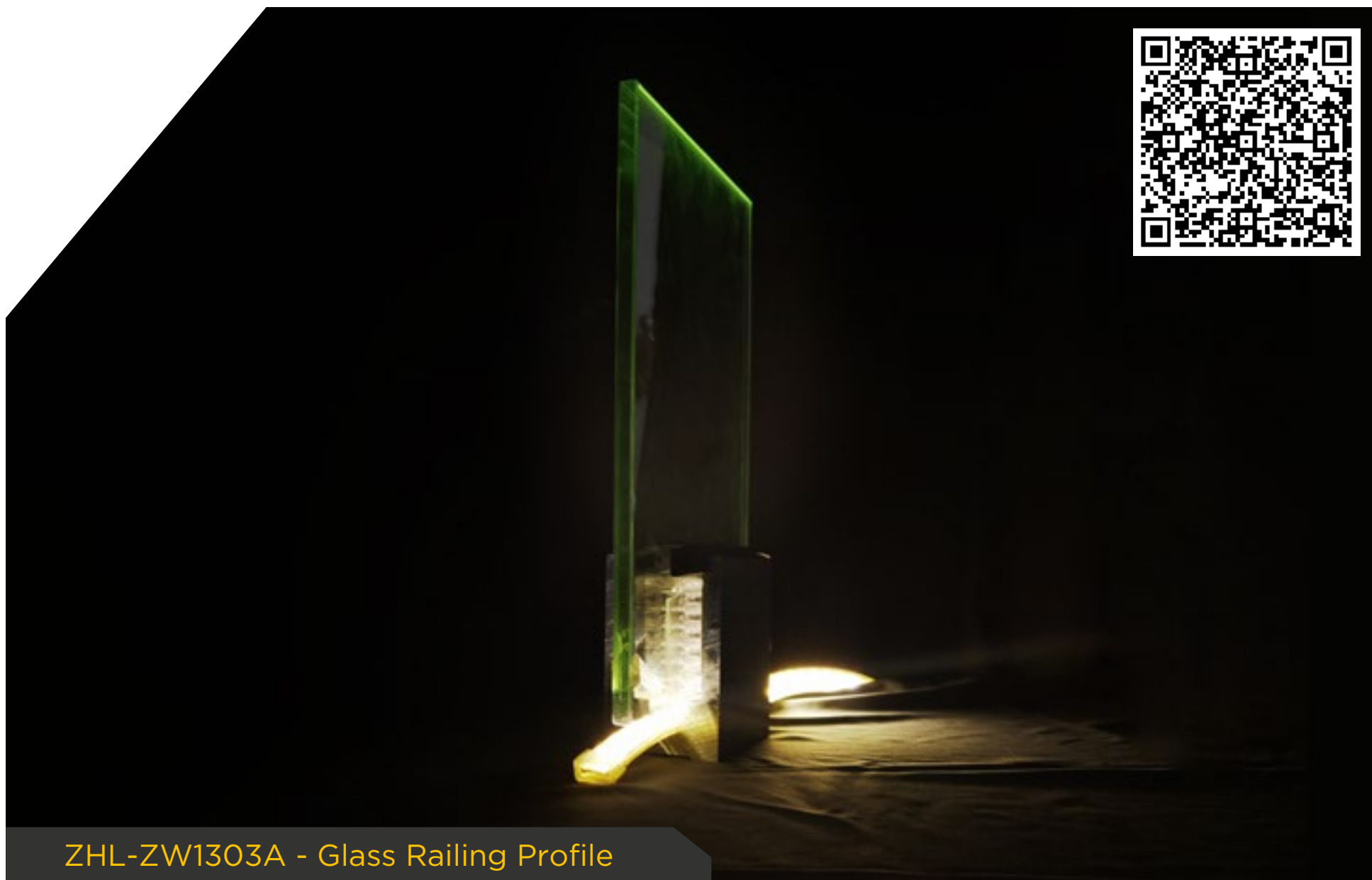
ZHONGLIAN in-floor glass supporting system distinguish your precious buildings with it's durability, aesthetic view and being brand new system. Besides, it provides more view space. The best solution ZHL-ZW1303A.

- ▶ 12 mm, 13 mm and 14 mm safety glass usage
- ▶ Full length Aluminium profile
- ▶ Unlimited view
- ▶ Aesthetic design
- ▶ Easy cleaning



ZHONGLIAN in-floor glass supporting system distinguish your precious buildings with it's durability, aesthetic view and being brand new system.

- 01 / Install led strips.
- 02 / EPDM Sealing Rubber to Seal.
- 03 / Aluminum Cover to Decorate.
- 04 / A full range of accessories can be supplied, including plastic fittings, aluminum alloy fasteners, screws, aluminum covers or plastic strips.



ZHL-ZW1303A - Glass Railing Profile



*Can be customized according to customer requirements



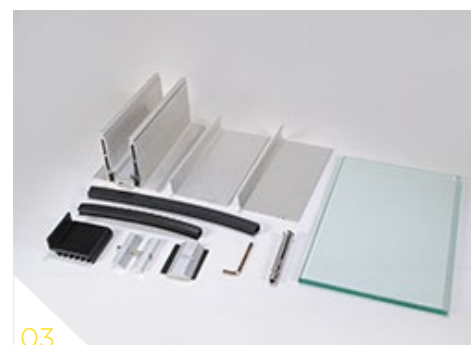
ZHL-ZW3416 - Glass Railing Profile



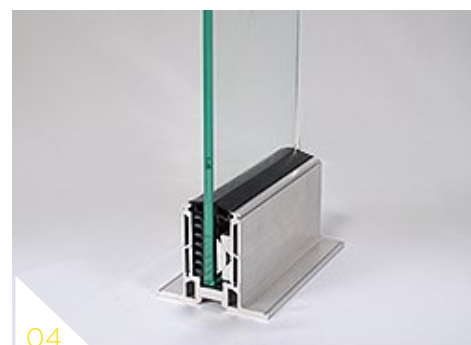
01



02



03

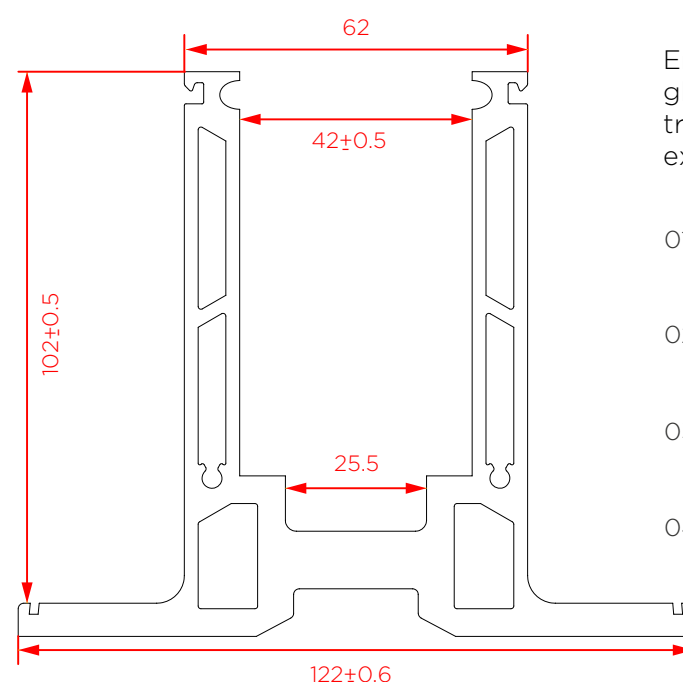
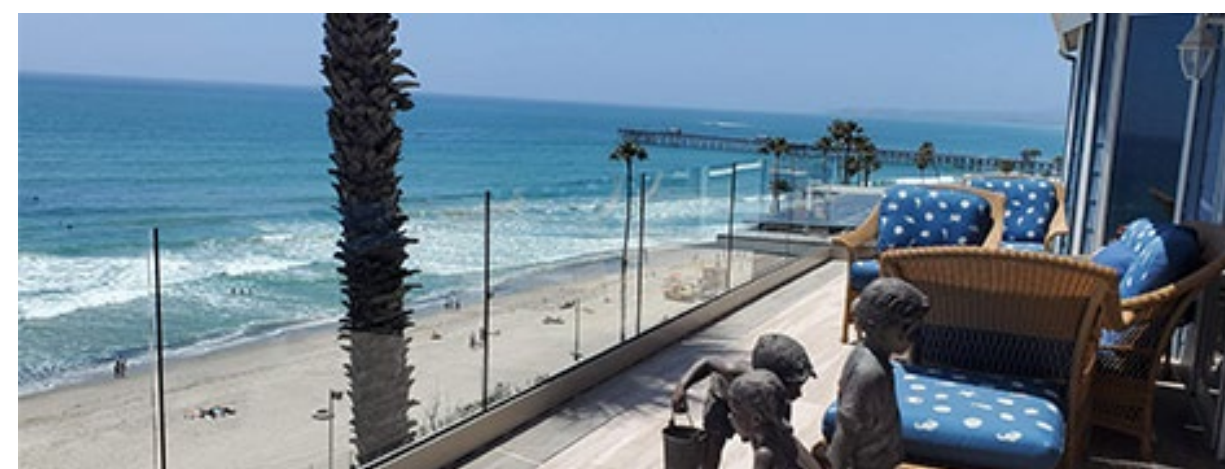


04

*Can be customized according to customer requirements

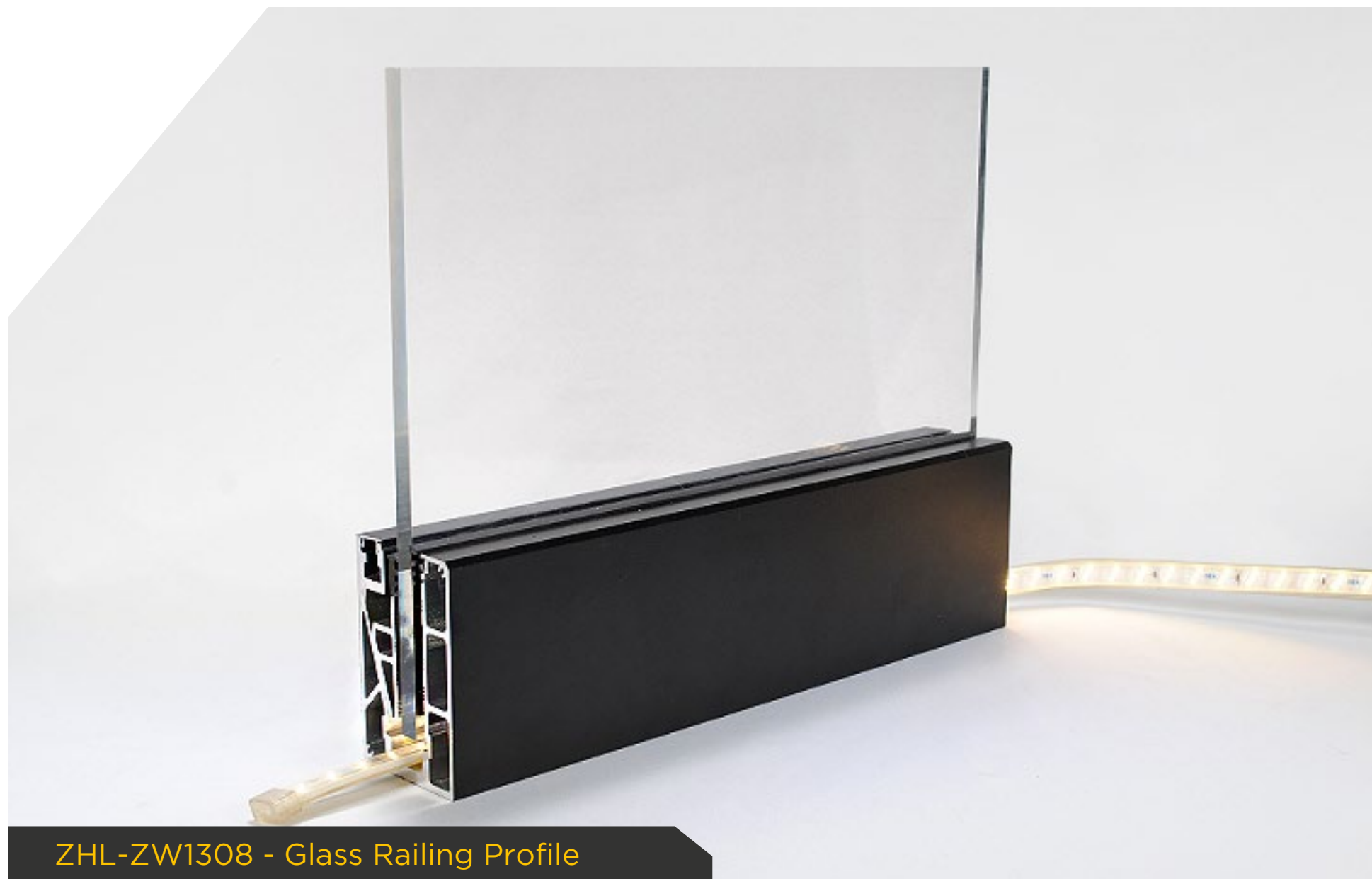
The ZHL-ZW3416 glass railing exudes sophistication and charm, elevating any space it graces. With its flawless powder coating finish, this railing exudes a sleek and polished look, adding a touch of luxury to residential, commercial, or industrial settings. Each element of this railing is meticulously crafted to perfection, ensuring not only stunning visuals but also robust durability for long-lasting performance.

- ▶ 12 mm, 13 mm and 14 mm safety glass usage
- ▶ Newest and safest system in railing



Embrace the splendor of ZHL-ZW3416 glass railing, and witness how it transforms ordinary spaces into extraordinary works of art.

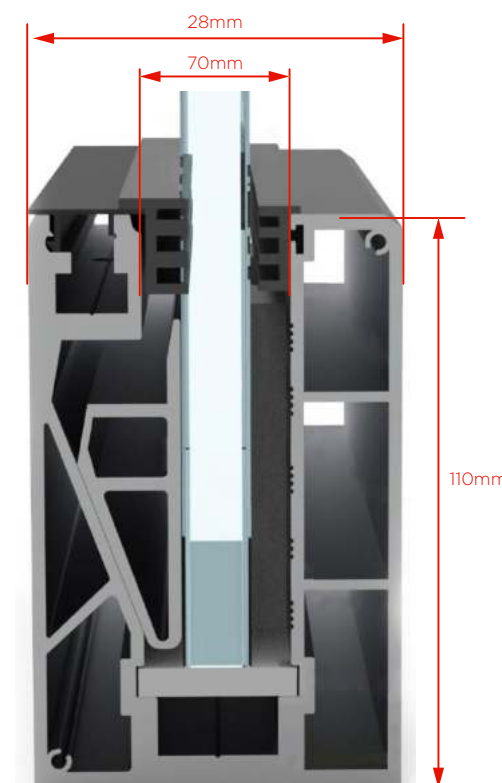
- 01 / Adopting a side extended structure for more secure installation
- 02 / Assembling the side cover plate will be more aesthetically pleasing
- 03 / Full set of accessories available
- 04 / Simple installation



ZHL-ZW1308 - Glass Railing Profile

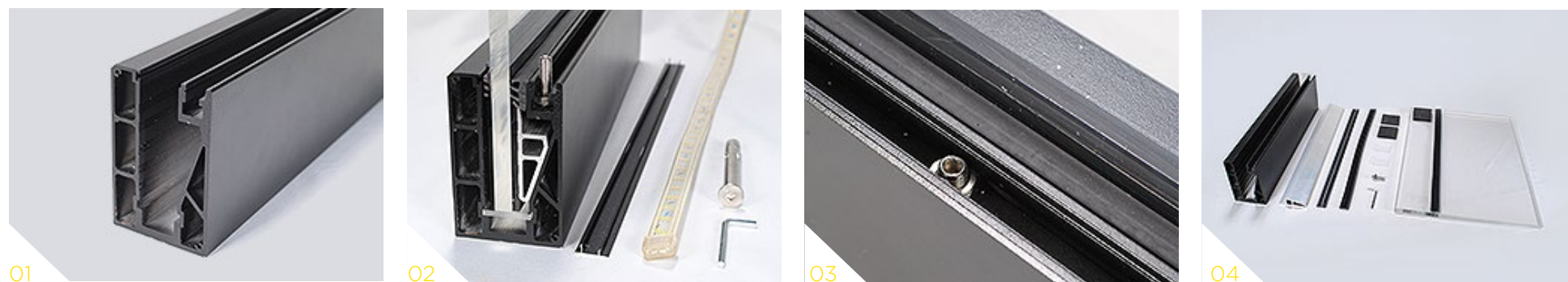
The most beautiful and elegant type of glass railing is called ZHL-ZW1308. However, what sets it apart from others is its LED installation effect, which provides a stunning view for your projects.

- ▶ 12 mm, 16 mm, 18mm and 20mm safety glass usage
- ▶ Excellent LED effect
- ▶ Unlimited view
- ▶ Aesthetic design
- ▶ Easy cleaning

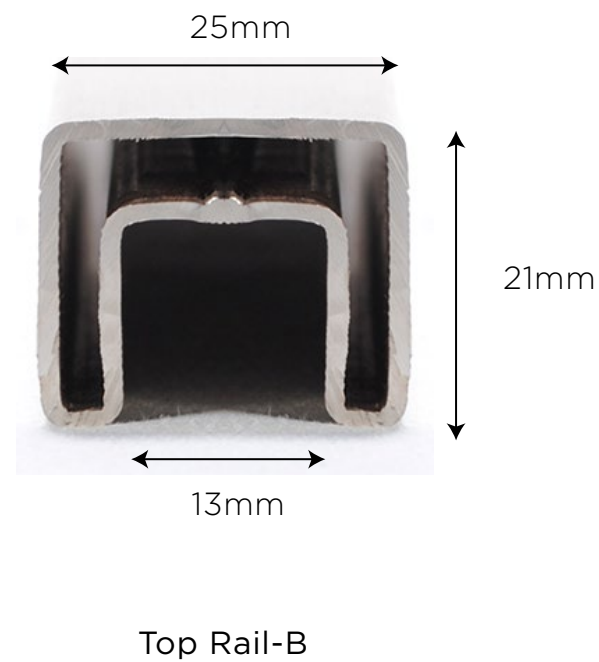
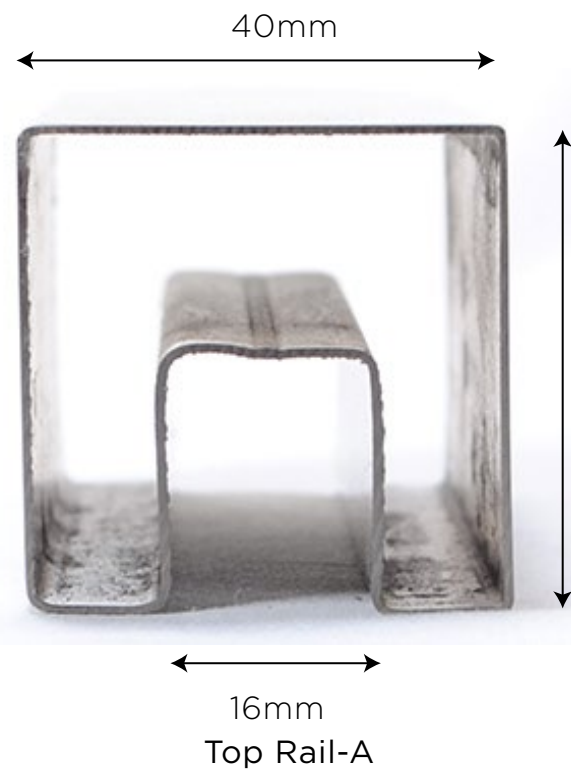
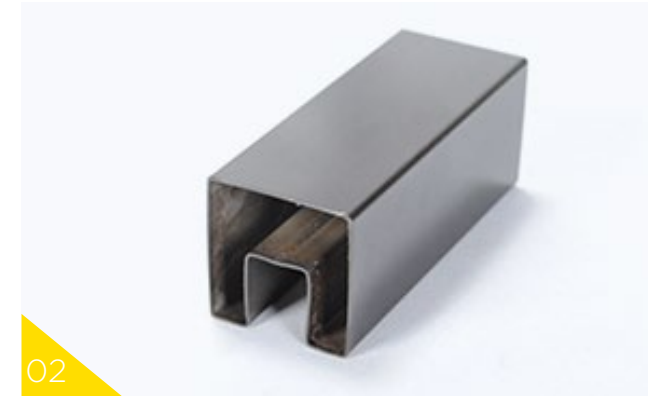


ZHONGLIAN in-floor glass supporting system distinguish your precious buildings with it's durability, aesthetic view and being brand new system.

- 01 / The sturdy product structure ensures safer installation
- 02 / while the flexible product accessories make the installation more convenient.
- 03 / The embedded fastening screws add to the aesthetics
- 04 / providing a complete set of product accessories.



*Can be customized according to customer requirements



/ Imagine looking through the glass panels of the ZHONGLIAN and being greeted by a mesmerizing view that complements your project's design and ambiance. Whether you have a modern architectural masterpiece or a classic interior, this glass railing seamlessly blends in, becoming an integral part of the seamless visual experience.

- ▶ 01 -Stainless Steel 316L - 25x21mm Top Rail-B
- ▶ 02- Stainless Steel 304 - 40x40mm Top Rail-A
- ▶ 03- Stainless Steel 304- Down Universal Joint
- ▶ 04- Stainless Steel 304- Right & Left Universal Joint
- ▶ 05- Stainless Steel 304- Connector
- ▶ 06- Stainless Steel 304- Wall fitting



CHINA
HEADQUARTERS FACTORY

No.2 Guohong Road,
Changhongling Industrial Park (Phase II),
Shishan Town, Nanhai District, Foshan City,
Guangdong Province, China.
Tel.: +86-13543617955
Fax: 0757-81792001
E-mail: 18@zl-alu.com

CHINA
BRANCH FACTORY (CNC SERVICE)

No. 22, Yanfeng Industrial Park,
Shishan Town, Nanhai District, Foshan City,
Guangdong Province, China.
Tel.: +86-13543617955
E-mail: 18@zl-alu.com

INTERNATIONAL TRADE
HEAD OFFICES & SHOWROOM

18 / F, Aluminum Association Building,
Guangfo Commercial City, Lingnan Road,
Dali Town, Nanhai District, Foshan City,
Guangdong Province, China.
Tel.: +86-13543617955
Fax: 0757-81823028
E-mail: 18@zl-alu.com



ZHONGLIAN
Aluminum Profiles